

JVC

SCHEMATIC DIAGRAMS

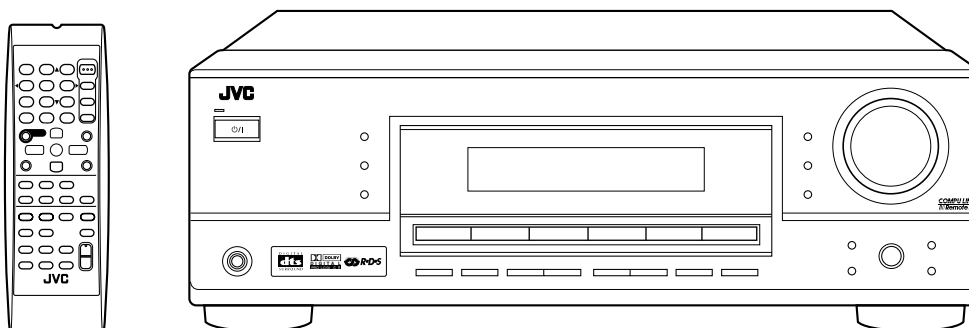
AUDIO/VIDEO CONTROL RECEIVER

RX-5030VBK

CD-ROM No.SML200304

Area suffix

E ----- Continental Europe



Contents

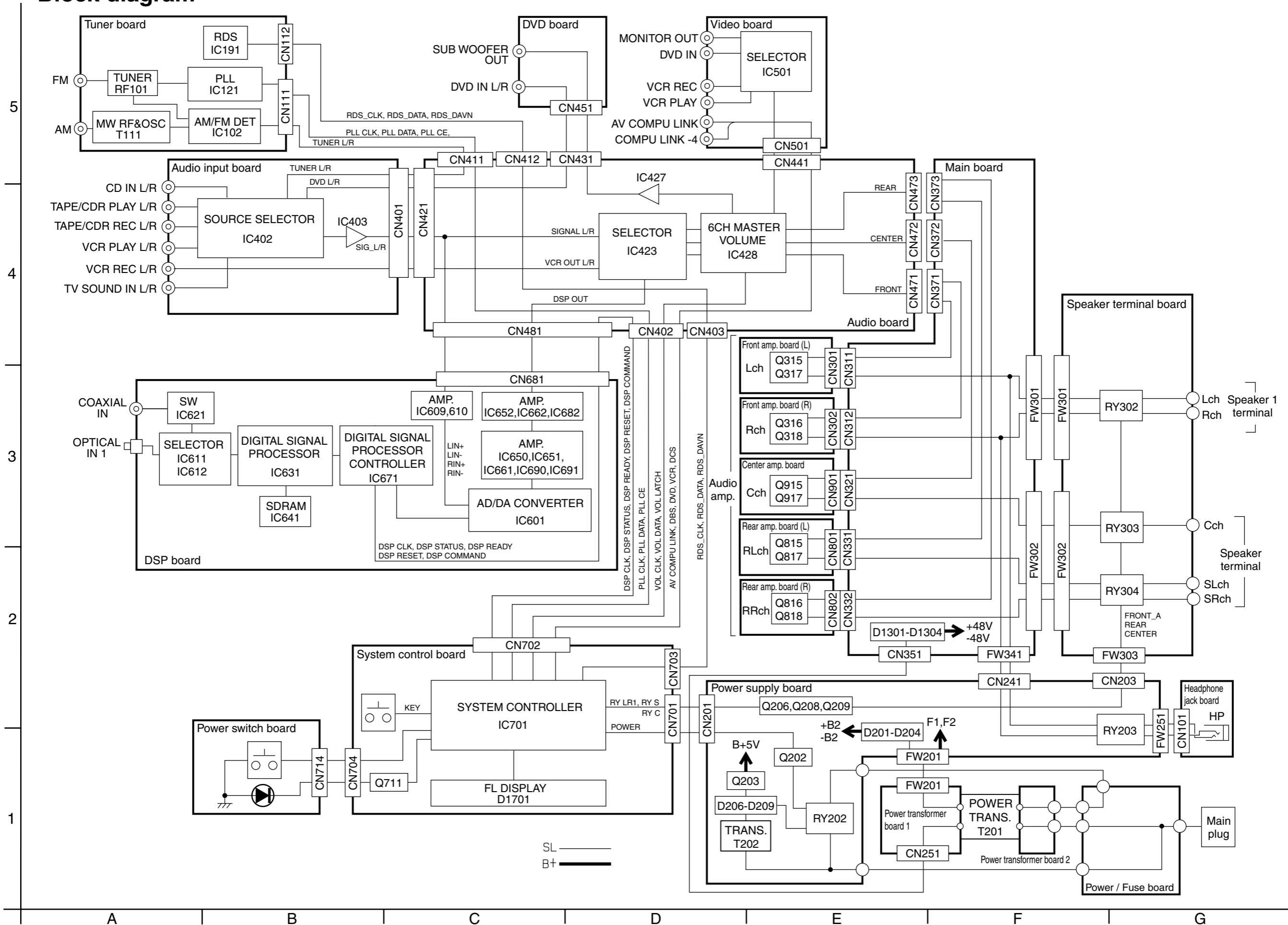
| | |
|-----------------------------------|-----------|
| Block diagram | 2-1 |
| Standard schematic diagrams | 2-2 |
| Printed circuit boards | 2-9 to 12 |

RX-5030VBK

In regard with component parts appearing on the silk-screen printed side (parts side) of the PWB diagrams, the parts that are printed over with black such as the resistor (■), diode (⬤) and ICP (●) or identified by the "⚠" mark nearby are critical for safety.

(This regulation does not correspond to J and C version.)

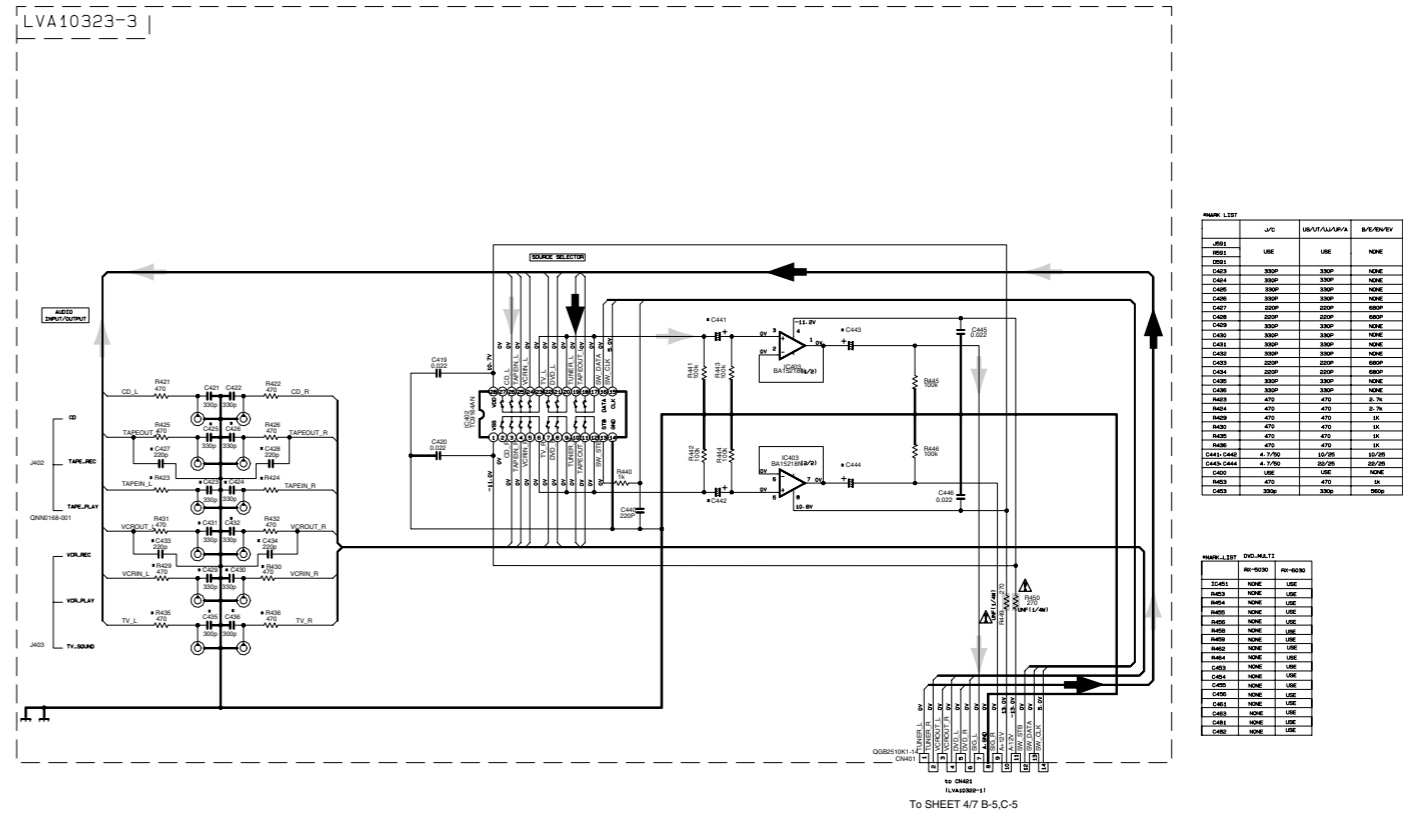
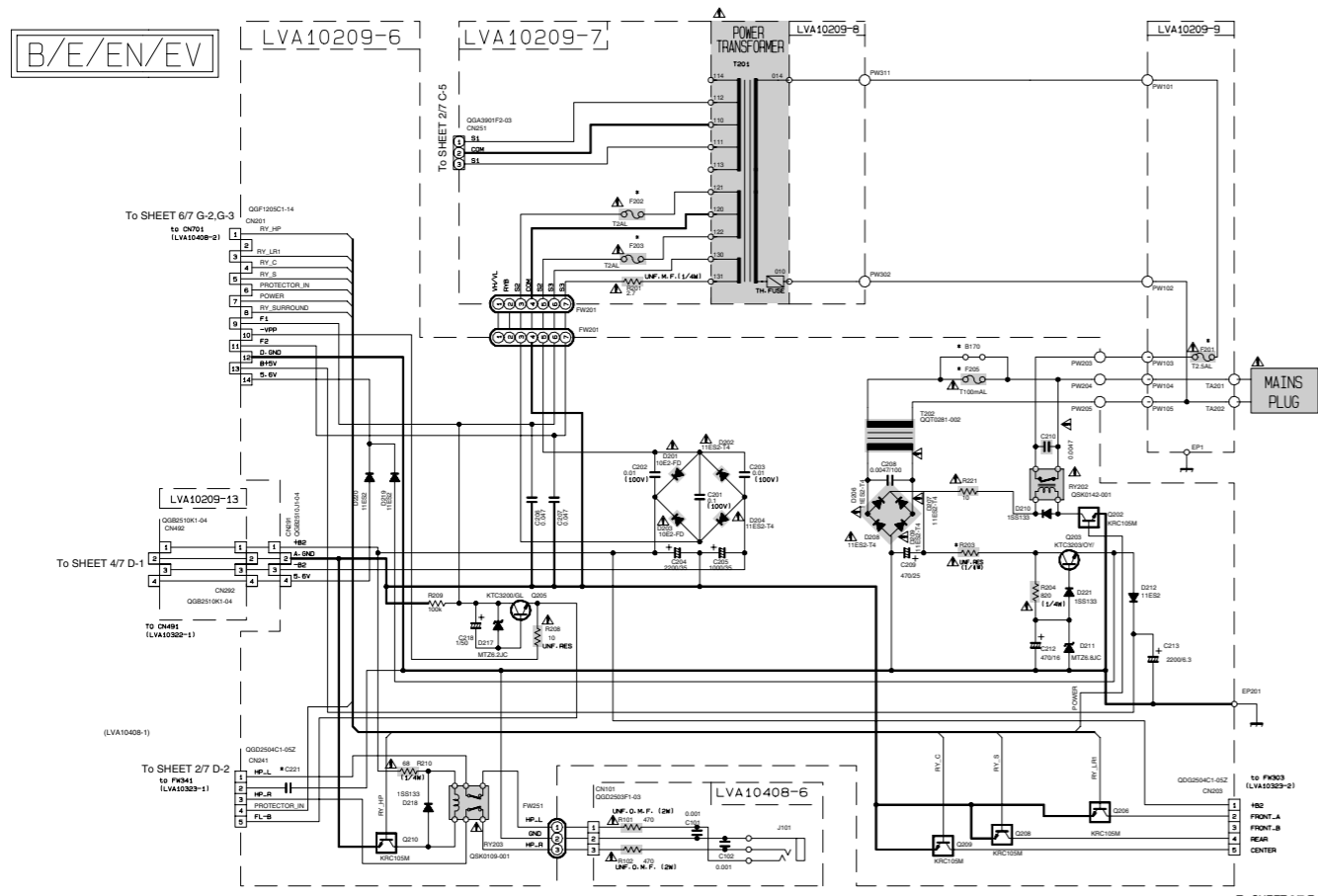
Block diagram



Standard schematic diagrams

Power supply section

Audio & Video signal input terminal section



| REF. LIST | Q/C | USE/ALPHA/A | B/E/EN/EV |
|-----------|------|-------------|-----------|
| R201 | USE | USE | NONE |
| R202 | USE | USE | NONE |
| R203 | 300P | 300P | NONE |
| R204 | 300P | 300P | NONE |
| R205 | 300P | 300P | NONE |
| R206 | 300P | 300P | NONE |
| R207 | 300P | 300P | NONE |
| R208 | 300P | 300P | NONE |
| R209 | 300P | 300P | NONE |
| R210 | 300P | 300P | NONE |
| R211 | 300P | 300P | NONE |
| R212 | 300P | 300P | NONE |
| R213 | 300P | 300P | NONE |
| R214 | 300P | 300P | NONE |
| R215 | 300P | 300P | NONE |
| R216 | 300P | 300P | NONE |
| R217 | 300P | 300P | NONE |
| R218 | 300P | 300P | NONE |
| R219 | 300P | 300P | NONE |
| R220 | 300P | 300P | NONE |
| R221 | 300P | 300P | NONE |
| R222 | 300P | 300P | NONE |
| R223 | 300P | 300P | NONE |
| R224 | 300P | 300P | NONE |
| R225 | 300P | 300P | NONE |
| R226 | 300P | 300P | NONE |
| R227 | 300P | 300P | NONE |
| R228 | 300P | 300P | NONE |
| R229 | 300P | 300P | NONE |
| R230 | 300P | 300P | NONE |
| R231 | 300P | 300P | NONE |
| R232 | 300P | 300P | NONE |
| R233 | 300P | 300P | NONE |
| R234 | 300P | 300P | NONE |
| R235 | 300P | 300P | NONE |
| R236 | 300P | 300P | NONE |
| R237 | 300P | 300P | NONE |
| R238 | 300P | 300P | NONE |
| R239 | 300P | 300P | NONE |
| R240 | 300P | 300P | NONE |
| R241 | 300P | 300P | NONE |
| R242 | 300P | 300P | NONE |
| R243 | 300P | 300P | NONE |
| R244 | 300P | 300P | NONE |
| R245 | 300P | 300P | NONE |
| R246 | 300P | 300P | NONE |
| R247 | 300P | 300P | NONE |
| R248 | 300P | 300P | NONE |
| R249 | 300P | 300P | NONE |
| R250 | 300P | 300P | NONE |
| R251 | 300P | 300P | NONE |
| R252 | 300P | 300P | NONE |
| R253 | 300P | 300P | NONE |
| R254 | 300P | 300P | NONE |
| R255 | 300P | 300P | NONE |
| R256 | 300P | 300P | NONE |
| R257 | 300P | 300P | NONE |
| R258 | 300P | 300P | NONE |
| R259 | 300P | 300P | NONE |
| R260 | 300P | 300P | NONE |
| R261 | 300P | 300P | NONE |
| R262 | 300P | 300P | NONE |
| R263 | 300P | 300P | NONE |
| R264 | 300P | 300P | NONE |
| R265 | 300P | 300P | NONE |
| R266 | 300P | 300P | NONE |
| R267 | 300P | 300P | NONE |
| R268 | 300P | 300P | NONE |
| R269 | 300P | 300P | NONE |
| R270 | 300P | 300P | NONE |
| R271 | 300P | 300P | NONE |
| R272 | 300P | 300P | NONE |
| R273 | 300P | 300P | NONE |
| R274 | 300P | 300P | NONE |
| R275 | 300P | 300P | NONE |
| R276 | 300P | 300P | NONE |
| R277 | 300P | 300P | NONE |
| R278 | 300P | 300P | NONE |
| R279 | 300P | 300P | NONE |
| R280 | 300P | 300P | NONE |
| R281 | 300P | 300P | NONE |
| R282 | 300P | 300P | NONE |
| R283 | 300P | 300P | NONE |
| R284 | 300P | 300P | NONE |
| R285 | 300P | 300P | NONE |
| R286 | 300P | 300P | NONE |
| R287 | 300P | 300P | NONE |
| R288 | 300P | 300P | NONE |
| R289 | 300P | 300P | NONE |
| R290 | 300P | 300P | NONE |
| R291 | 300P | 300P | NONE |
| R292 | 300P | 300P | NONE |
| R293 | 300P | 300P | NONE |
| R294 | 300P | 300P | NONE |
| R295 | 300P | 300P | NONE |
| R296 | 300P | 300P | NONE |
| R297 | 300P | 300P | NONE |
| R298 | 300P | 300P | NONE |
| R299 | 300P | 300P | NONE |
| R300 | 300P | 300P | NONE |

| REF. LIST | Q/C | USE/ALPHA/A | B/E/EN/EV |
|-----------|-----|-------------|-----------|
| R101 | USE | USE | NONE |
| R102 | USE | USE | NONE |
| R103 | USE | USE | NONE |
| R104 | USE | USE | NONE |
| R105 | USE | USE | NONE |
| R106 | USE | USE | NONE |
| R107 | USE | USE | NONE |
| R108 | USE | USE | NONE |
| R109 | USE | USE | NONE |
| R110 | USE | USE | NONE |
| R111 | USE | USE | NONE |
| R112 | USE | USE | NONE |
| R113 | USE | USE | NONE |
| R114 | USE | USE | NONE |
| R115 | USE | USE | NONE |
| R116 | USE | USE | NONE |
| R117 | USE | USE | NONE |
| R118 | USE | USE | NONE |
| R119 | USE | USE | NONE |
| R120 | USE | USE | NONE |
| R121 | USE | USE | NONE |
| R122 | USE | USE | NONE |
| R123 | USE | USE | NONE |
| R124 | USE | USE | NONE |
| R125 | USE | USE | NONE |
| R126 | USE | USE | NONE |
| R127 | USE | USE | NONE |
| R128 | USE | USE | NONE |
| R129 | USE | USE | NONE |
| R130 | USE | USE | NONE |
| R131 | USE | USE | NONE |
| R132 | USE | USE | NONE |
| R133 | USE | USE | NONE |
| R134 | USE | USE | NONE |
| R135 | USE | USE | NONE |
| R136 | USE | USE | NONE |
| R137 | USE | USE | NONE |
| R138 | USE | USE | NONE |
| R139 | USE | USE | NONE |
| R140 | USE | USE | NONE |
| R141 | USE | USE | NONE |
| R142 | USE | USE | NONE |
| R143 | USE | USE | NONE |
| R144 | USE | USE | NONE |
| R145 | USE | USE | NONE |
| R146 | USE | USE | NONE |
| R147 | USE | USE | NONE |
| R148 | USE | USE | NONE |
| R149 | USE | USE | NONE |
| R150 | USE | USE | NONE |
| R151 | USE | USE | NONE |
| R152 | USE | USE | NONE |
| R153 | USE | USE | NONE |
| R154 | USE | USE | NONE |
| R155 | USE | USE | NONE |
| R156 | USE | USE | NONE |
| R157 | USE | USE | NONE |
| R158 | USE | USE | NONE |
| R159 | USE | USE | NONE |
| R160 | USE | USE | NONE |
| R161 | USE | USE | NONE |
| R162 | USE | USE | NONE |
| R163 | USE | USE | NONE |
| R164 | USE | USE | NONE |
| R165 | USE | USE | NONE |
| R166 | USE | USE | NONE |
| R167 | USE | USE | NONE |
| R168 | USE | USE | NONE |
| R169 | USE | USE | NONE |
| R170 | USE | USE | NONE |
| R171 | USE | USE | NONE |
| R172 | USE | USE | NONE |
| R173 | USE | USE | NONE |
| R174 | USE | USE | NONE |
| R175 | USE | USE | NONE |
| R176 | USE | USE | NONE |
| R177 | USE | USE | NONE |
| R178 | USE | USE | NONE |
| R179 | USE | USE | NONE |
| R180 | USE | USE | NONE |
| R181 | USE | USE | NONE |
| R182 | USE | USE | NONE |
| R183 | USE | USE | NONE |
| R184 | USE | USE | NONE |
| R185 | USE | USE | NONE |
| R186 | USE | USE | NONE |
| R187 | USE | USE | NONE |
| R188 | USE | USE | NONE |
| R189 | USE | USE | NONE |
| R190 | USE | USE | NONE |
| R191 | USE | USE | NONE |
| R192 | USE | USE | NONE |
| R193 | USE | USE | NONE |
| R194 | USE | USE | NONE |
| R195 | USE | USE | NONE |
| R196 | USE | USE | NONE |
| R197 | USE | USE | NONE |
| R198 | USE | USE | NONE |
| R199 | USE | USE | NONE |
| R200 | USE | USE | NONE |

| Q/C | B/E/EN/EV/UA | USE/ALPHA/A |
|-----------|--------------------------|--------------------------|
| F201 | QPS142-2P0-B (E-5A-250V) | QPS142-2P0-B (E-5A-250V) |
| F202-F203 | QPS141-2P0-B (E-5A-125V) | QPS141-2P0-B (E-5A-125V) |
| F204 | NONE | NONE |
| F205 | NONE | NONE |
| B170 | QPS142-2P0-B (E-5A-250V) | QPS142-2P0-B (E-5A-250V) |
| VS01 | USE | USE |

| Q/C | B/E/EN/EV | USE/ALPHA/A | UP/A |
|-----------|-------------|-------------|-------------|
| R1-EP1 | USE | NONE | NONE |
| R211-R212 | NONE | NONE | USE |
| R220-R223 | NONE | NONE | USE |
| R211-B145 | NONE | NONE | USE |
| R221-B145 | USE | USE | NONE |
| R203 | 10 | 10 | 3-9 |
| R204 | 10 | 10 | 3-9 |
| T200 | 00T0317-001 | 00T0317-002 | 00T0317-004 |
| C200 | 470/25 | 470/25 | 470/25 |
| R201 | 2.7 | 4.7 | 5.6 |
| C131 | 330P | 0.001 | 330P |
| C132 | 330P | 0.001 | 330P |
| C201 | NONE | USE | NONE |

| SHEET No. | CIRCUIT DESCRIPTION |
|-----------|---|
| 1/7 | Power supply & Component video |
| 2/7 | Audio & Speaker terminal |
| 3/7 | Audio amplifier |
| 4/7 | Volume, Regulator & Source select |
| 5/7 | Digital signal input terminal & Surround |
| 6/7 | User control, System control & FL display |
| 7/7 | Tuner |

| VERSION CODES |
|------------------------|
| J : U. S. A. |
| C : CANADA |
| B : U. K. |
| E : CONTINENTAL EUROPE |
| EN : NORDIC COUNTRIES |
| EV : EASTERN EUROPE |
| US : SINGAPORE |
| UT : TAIWAN |
| UJ : MILLITARY MARKET |
| UP : KOREA |
| A : AUSTRALIA |

➡ Audio signal
➡ Tuner signal

⚠ Parts are safety assurance parts. When replacing those parts make sure to use the specified one.

5
4
3
2
1

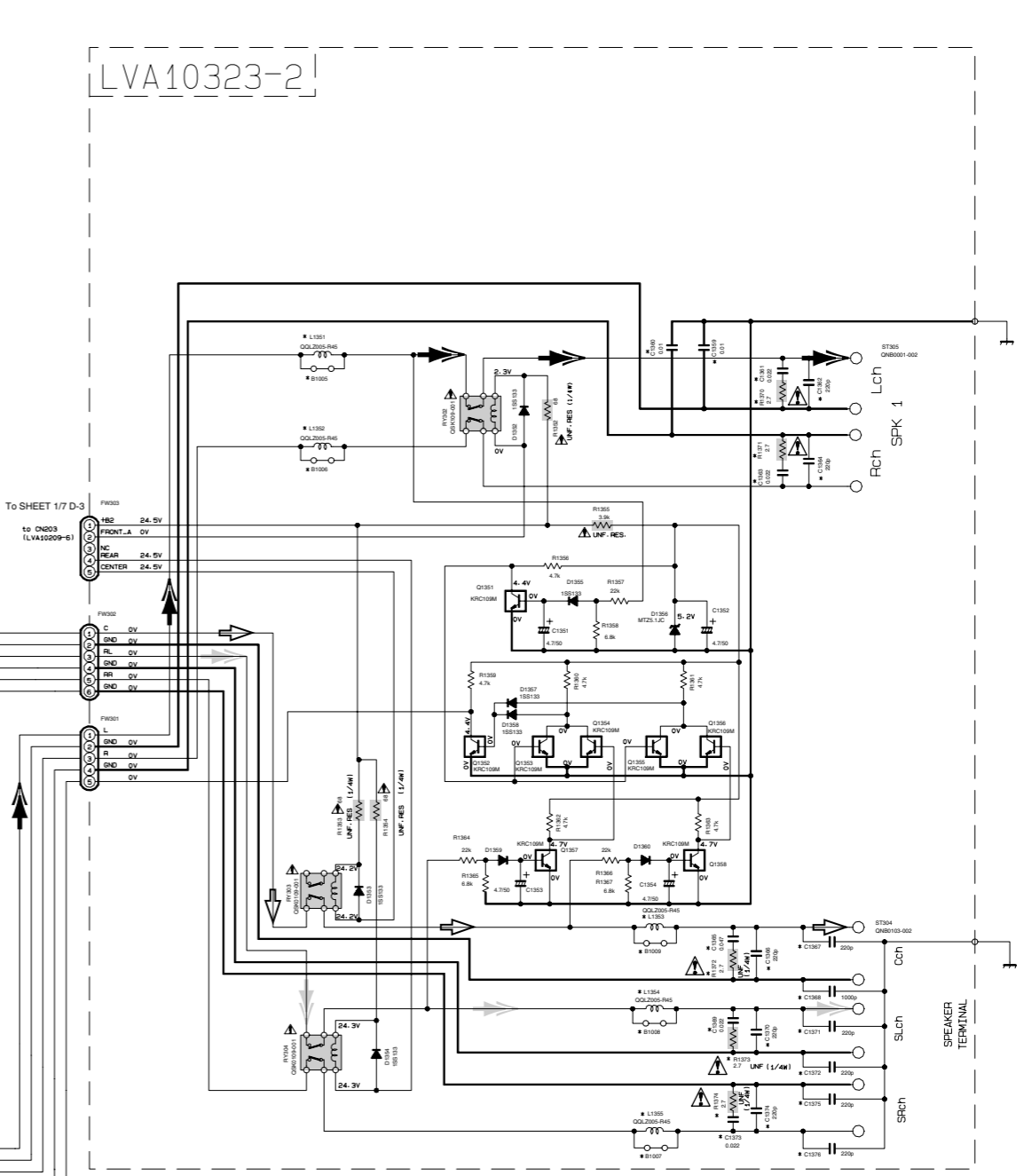
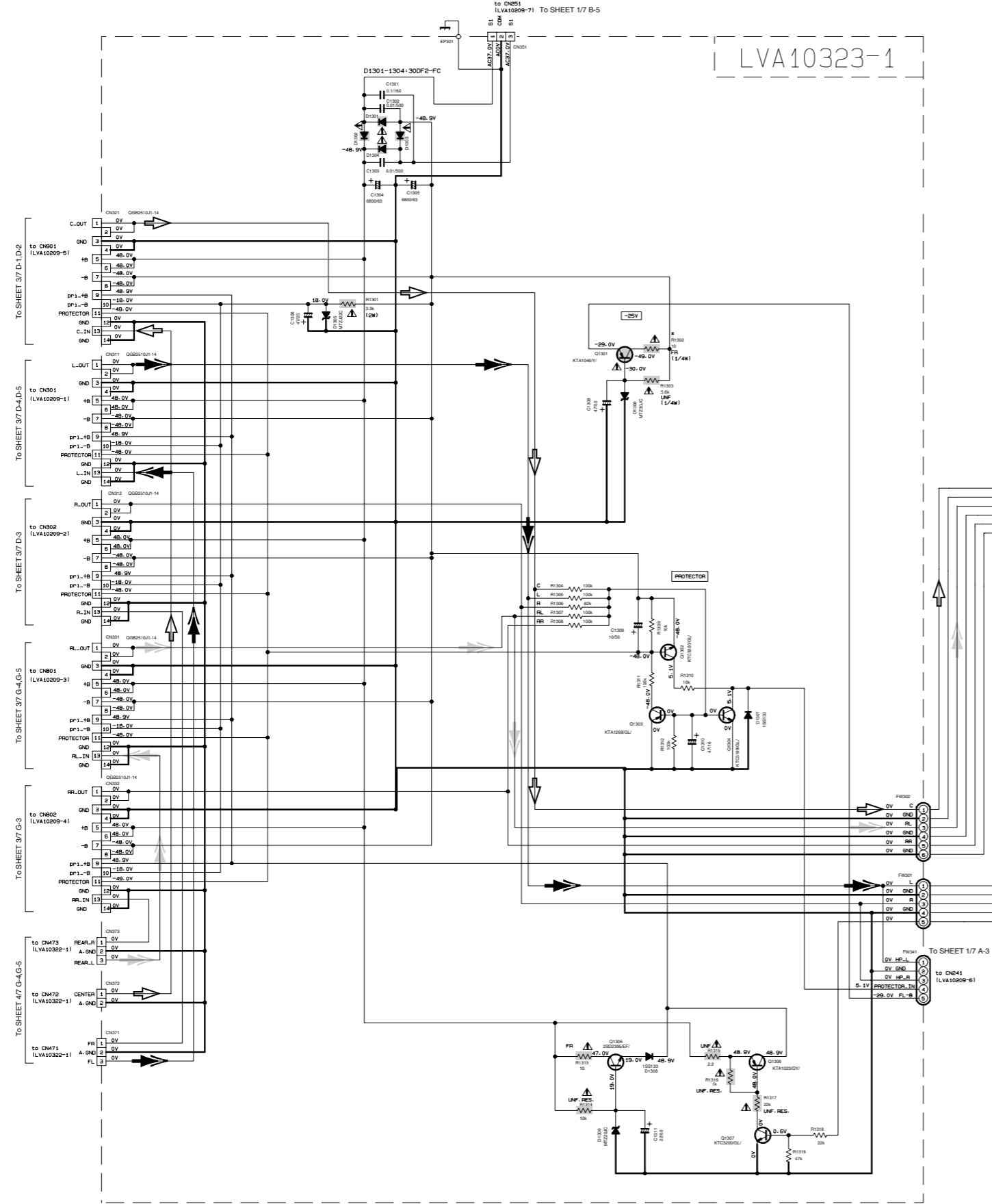
A B C 2-2 D E F G H

Audio & Speaker terminal section

LVA10323-1

LVA10323-2

5
4
3
2
1

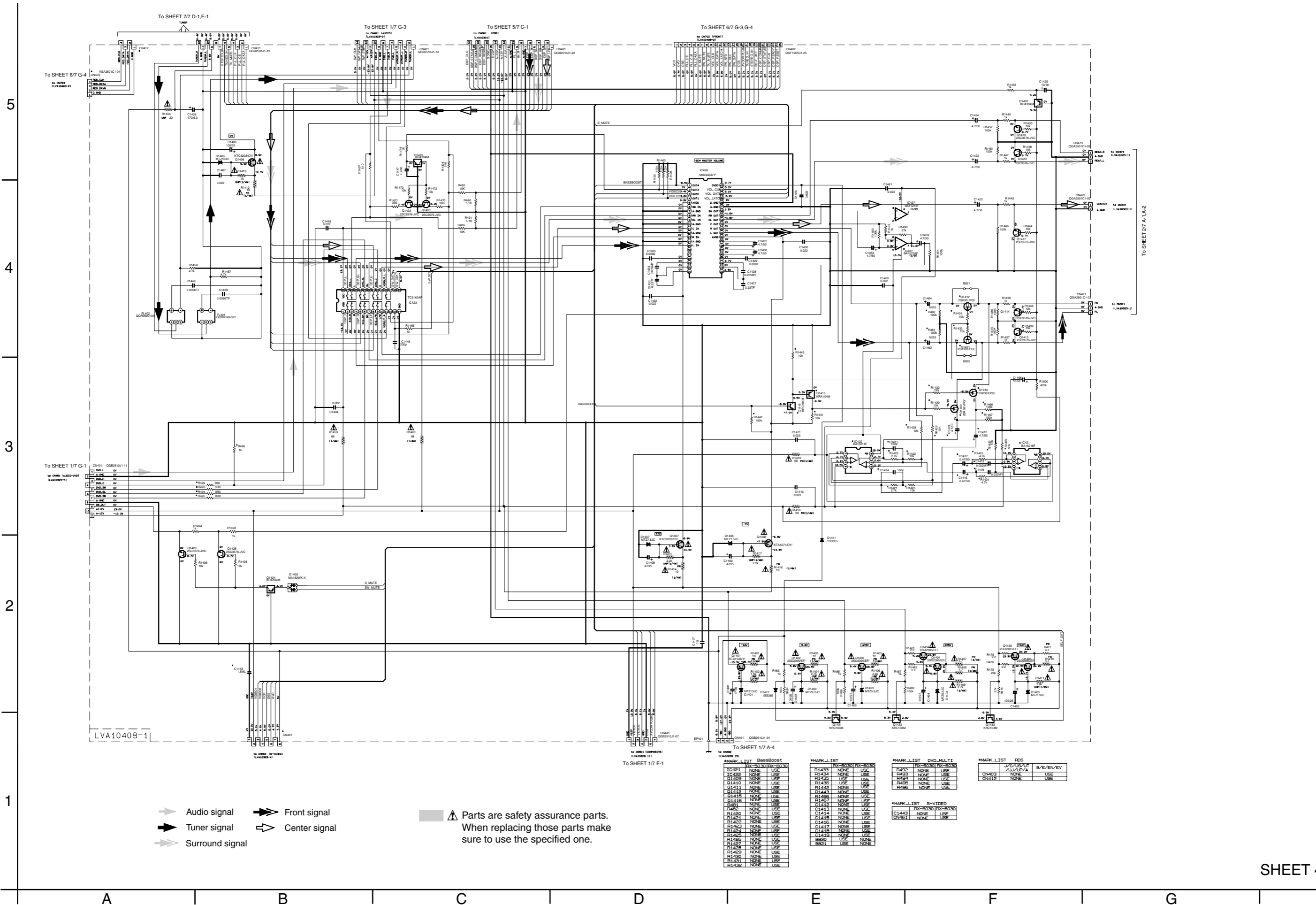


MARK LIST

| MARK | J/C | B/E/V/E/V | USE | U/A/L/A |
|-------|------|-----------|------|---------|
| C1309 | NONE | USE | USE | |
| C1360 | NONE | USE | USE | |
| C1361 | NONE | USE | USE | |
| C1362 | NONE | USE | USE | |
| C1363 | NONE | USE | USE | |
| C1364 | NONE | USE | USE | |
| C1365 | NONE | USE | USE | |
| C1366 | NONE | USE | USE | |
| C1367 | NONE | USE | USE | |
| C1368 | NONE | USE | USE | |
| C1369 | NONE | USE | USE | |
| C1370 | NONE | USE | USE | |
| C1371 | NONE | USE | USE | |
| C1372 | NONE | USE | USE | |
| C1373 | NONE | USE | USE | |
| C1374 | NONE | USE | USE | |
| C1375 | NONE | USE | USE | |
| C1376 | NONE | USE | USE | |
| R1370 | NONE | USE | USE | |
| R1371 | NONE | USE | USE | |
| R1372 | NONE | USE | USE | |
| R1373 | NONE | USE | USE | |
| R1374 | NONE | USE | USE | |
| L1351 | NONE | USE | USE | |
| L1352 | NONE | USE | USE | |
| L1353 | NONE | USE | USE | |
| L1354 | NONE | USE | USE | |
| L1355 | NONE | USE | USE | |
| B1009 | USE | NONE | NONE | |
| B1006 | USE | NONE | NONE | |
| B1007 | USE | NONE | NONE | |
| B1008 | USE | NONE | NONE | |
| B1009 | USE | NONE | NONE | |

- Surround signal
- Front signal
- Center signal
- Parts are safety assurance parts. When replacing those parts make sure to use the specified one.

Volume, Regulator & Source select section



→ Audio signal → Front signal
 → Tuner signal ⇨ Center signal
 ⇨ Surround signal

▲ Parts are safety assurance parts.
 When replacing those parts make
 sure to use the specified one.

| *MARK-LIST BassBoost | | |
|----------------------|-------|-------|
| IC401 | IC402 | IC403 |
| IC401 | NONE | USE |
| IC402 | NONE | USE |
| IC403 | NONE | USE |

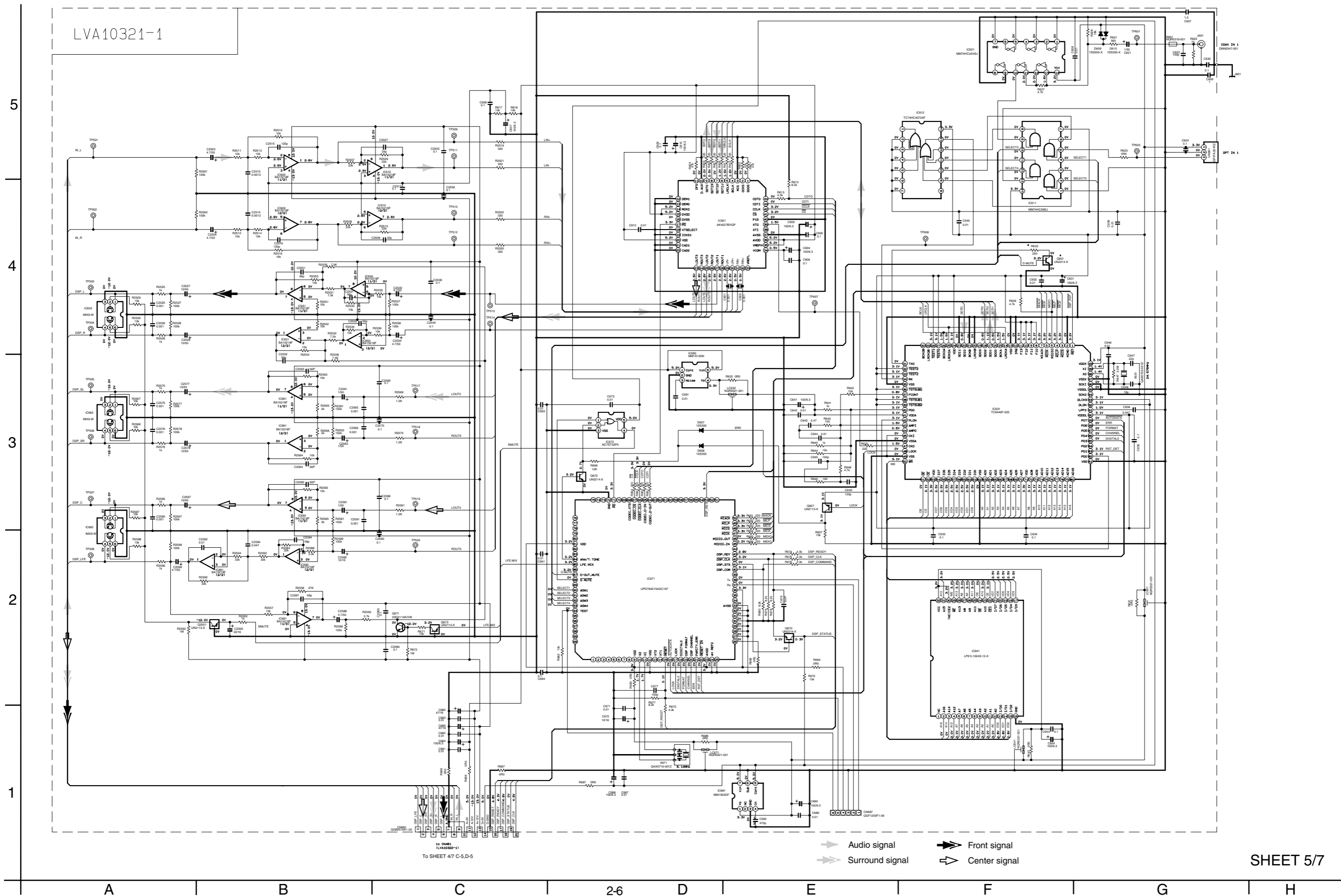
| *MARK-LIST RX-5030 RX-6030 | | |
|----------------------------|-------|-------|
| IC404 | IC405 | IC406 |
| IC404 | NONE | USE |
| IC405 | NONE | USE |
| IC406 | NONE | USE |

| *MARK-LIST DVC-MULTI | | |
|----------------------|------|------|
| R400 | R401 | R402 |
| R400 | NONE | USE |
| R401 | NONE | USE |
| R402 | NONE | USE |

| *MARK-LIST S-VIDEO | | |
|--------------------|-------|-------|
| IC407 | IC408 | IC409 |
| IC407 | NONE | USE |
| IC408 | NONE | USE |
| IC409 | NONE | USE |

| *MARK-LIST RES | | |
|----------------|-------|-------|
| CN401 | CN402 | CN403 |
| CN401 | NONE | USE |
| CN402 | NONE | USE |
| CN403 | NONE | USE |

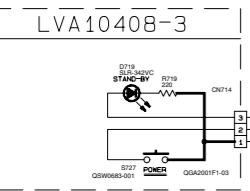
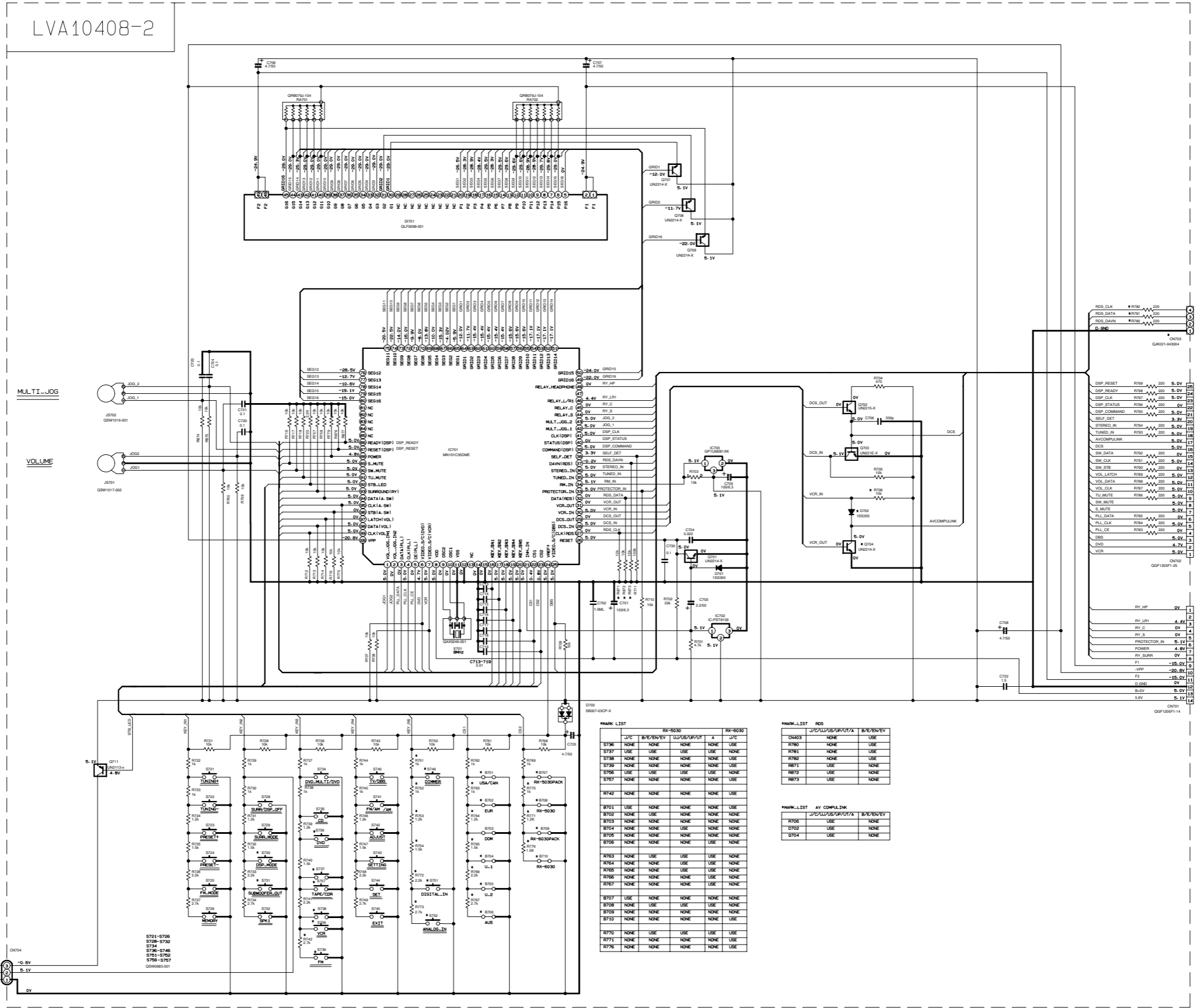
■ Digital signal input terminal & Surround section



→ Audio signal
 → Surround signal
 ● Front signal
 ▽ Center signal

User control, System control & FL display section

5
4
3
2
1



MARK LIST

| J/C | B/E/V/E/V | L/U/S/O/P/T/A | A | RX-6030 | RX-6030 |
|------|-----------|---------------|------|---------|---------|
| R786 | NONE | NONE | NONE | NONE | USE |
| R787 | USE | USE | USE | USE | NONE |
| R788 | NONE | NONE | NONE | NONE | USE |
| R789 | NONE | NONE | NONE | NONE | USE |
| R790 | USE | USE | USE | USE | NONE |
| R791 | NONE | NONE | NONE | NONE | USE |
| R792 | NONE | NONE | NONE | NONE | USE |
| R793 | USE | USE | USE | USE | NONE |
| R794 | NONE | NONE | NONE | NONE | USE |
| R795 | NONE | NONE | NONE | NONE | USE |
| R796 | NONE | NONE | NONE | NONE | USE |
| R797 | NONE | NONE | NONE | NONE | USE |
| R798 | NONE | NONE | NONE | NONE | USE |
| R799 | NONE | NONE | NONE | NONE | USE |
| R800 | NONE | NONE | NONE | NONE | USE |
| R801 | NONE | NONE | NONE | NONE | USE |
| R802 | NONE | NONE | NONE | NONE | USE |
| R803 | NONE | NONE | NONE | NONE | USE |
| R804 | NONE | NONE | NONE | NONE | USE |
| R805 | NONE | NONE | NONE | NONE | USE |
| R806 | NONE | NONE | NONE | NONE | USE |
| R807 | NONE | NONE | NONE | NONE | USE |
| R808 | NONE | NONE | NONE | NONE | USE |
| R809 | NONE | NONE | NONE | NONE | USE |
| R810 | NONE | NONE | NONE | NONE | USE |
| R811 | NONE | NONE | NONE | NONE | USE |
| R812 | NONE | NONE | NONE | NONE | USE |
| R813 | NONE | NONE | NONE | NONE | USE |
| R814 | NONE | NONE | NONE | NONE | USE |
| R815 | NONE | NONE | NONE | NONE | USE |
| R816 | NONE | NONE | NONE | NONE | USE |
| R817 | NONE | NONE | NONE | NONE | USE |
| R818 | NONE | NONE | NONE | NONE | USE |
| R819 | NONE | NONE | NONE | NONE | USE |
| R820 | NONE | NONE | NONE | NONE | USE |
| R821 | NONE | NONE | NONE | NONE | USE |
| R822 | NONE | NONE | NONE | NONE | USE |
| R823 | NONE | NONE | NONE | NONE | USE |
| R824 | NONE | NONE | NONE | NONE | USE |
| R825 | NONE | NONE | NONE | NONE | USE |
| R826 | NONE | NONE | NONE | NONE | USE |
| R827 | NONE | NONE | NONE | NONE | USE |
| R828 | NONE | NONE | NONE | NONE | USE |
| R829 | NONE | NONE | NONE | NONE | USE |
| R830 | NONE | NONE | NONE | NONE | USE |
| R831 | NONE | NONE | NONE | NONE | USE |
| R832 | NONE | NONE | NONE | NONE | USE |
| R833 | NONE | NONE | NONE | NONE | USE |
| R834 | NONE | NONE | NONE | NONE | USE |
| R835 | NONE | NONE | NONE | NONE | USE |
| R836 | NONE | NONE | NONE | NONE | USE |
| R837 | NONE | NONE | NONE | NONE | USE |
| R838 | NONE | NONE | NONE | NONE | USE |
| R839 | NONE | NONE | NONE | NONE | USE |
| R840 | NONE | NONE | NONE | NONE | USE |
| R841 | NONE | NONE | NONE | NONE | USE |
| R842 | NONE | NONE | NONE | NONE | USE |
| R843 | NONE | NONE | NONE | NONE | USE |
| R844 | NONE | NONE | NONE | NONE | USE |
| R845 | NONE | NONE | NONE | NONE | USE |
| R846 | NONE | NONE | NONE | NONE | USE |
| R847 | NONE | NONE | NONE | NONE | USE |
| R848 | NONE | NONE | NONE | NONE | USE |
| R849 | NONE | NONE | NONE | NONE | USE |
| R850 | NONE | NONE | NONE | NONE | USE |
| R851 | NONE | NONE | NONE | NONE | USE |
| R852 | NONE | NONE | NONE | NONE | USE |
| R853 | NONE | NONE | NONE | NONE | USE |
| R854 | NONE | NONE | NONE | NONE | USE |
| R855 | NONE | NONE | NONE | NONE | USE |
| R856 | NONE | NONE | NONE | NONE | USE |
| R857 | NONE | NONE | NONE | NONE | USE |
| R858 | NONE | NONE | NONE | NONE | USE |
| R859 | NONE | NONE | NONE | NONE | USE |
| R860 | NONE | NONE | NONE | NONE | USE |
| R861 | NONE | NONE | NONE | NONE | USE |
| R862 | NONE | NONE | NONE | NONE | USE |
| R863 | NONE | NONE | NONE | NONE | USE |
| R864 | NONE | NONE | NONE | NONE | USE |
| R865 | NONE | NONE | NONE | NONE | USE |
| R866 | NONE | NONE | NONE | NONE | USE |
| R867 | NONE | NONE | NONE | NONE | USE |
| R868 | NONE | NONE | NONE | NONE | USE |
| R869 | NONE | NONE | NONE | NONE | USE |
| R870 | NONE | NONE | NONE | NONE | USE |
| R871 | NONE | NONE | NONE | NONE | USE |
| R872 | NONE | NONE | NONE | NONE | USE |
| R873 | NONE | NONE | NONE | NONE | USE |
| R874 | NONE | NONE | NONE | NONE | USE |
| R875 | NONE | NONE | NONE | NONE | USE |
| R876 | NONE | NONE | NONE | NONE | USE |
| R877 | NONE | NONE | NONE | NONE | USE |
| R878 | NONE | NONE | NONE | NONE | USE |
| R879 | NONE | NONE | NONE | NONE | USE |
| R880 | NONE | NONE | NONE | NONE | USE |
| R881 | NONE | NONE | NONE | NONE | USE |
| R882 | NONE | NONE | NONE | NONE | USE |
| R883 | NONE | NONE | NONE | NONE | USE |
| R884 | NONE | NONE | NONE | NONE | USE |
| R885 | NONE | NONE | NONE | NONE | USE |
| R886 | NONE | NONE | NONE | NONE | USE |
| R887 | NONE | NONE | NONE | NONE | USE |
| R888 | NONE | NONE | NONE | NONE | USE |
| R889 | NONE | NONE | NONE | NONE | USE |
| R890 | NONE | NONE | NONE | NONE | USE |
| R891 | NONE | NONE | NONE | NONE | USE |
| R892 | NONE | NONE | NONE | NONE | USE |
| R893 | NONE | NONE | NONE | NONE | USE |
| R894 | NONE | NONE | NONE | NONE | USE |
| R895 | NONE | NONE | NONE | NONE | USE |
| R896 | NONE | NONE | NONE | NONE | USE |
| R897 | NONE | NONE | NONE | NONE | USE |
| R898 | NONE | NONE | NONE | NONE | USE |
| R899 | NONE | NONE | NONE | NONE | USE |
| R900 | NONE | NONE | NONE | NONE | USE |

MARK LIST RDS

| J/C | B/E/V/E/V | L/U/S/O/P/T/A | B/E/V/E/V |
|-------|-----------|---------------|-----------|
| CH403 | NONE | NONE | USE |
| R780 | NONE | NONE | USE |
| R781 | NONE | NONE | USE |
| R782 | NONE | NONE | USE |
| R783 | NONE | NONE | USE |
| R784 | NONE | NONE | USE |
| R785 | NONE | NONE | USE |
| R786 | NONE | NONE | USE |
| R787 | NONE | NONE | USE |
| R788 | NONE | NONE | USE |
| R789 | NONE | NONE | USE |
| R790 | NONE | NONE | USE |
| R791 | NONE | NONE | USE |
| R792 | NONE | NONE | USE |
| R793 | NONE | NONE | USE |
| R794 | NONE | NONE | USE |
| R795 | NONE | NONE | USE |
| R796 | NONE | NONE | USE |
| R797 | NONE | NONE | USE |
| R798 | NONE | NONE | USE |
| R799 | NONE | NONE | USE |
| R800 | NONE | NONE | USE |
| R801 | NONE | NONE | USE |
| R802 | NONE | NONE | USE |
| R803 | NONE | NONE | USE |
| R804 | NONE | NONE | USE |
| R805 | NONE | NONE | USE |
| R806 | NONE | NONE | USE |
| R807 | NONE | NONE | USE |
| R808 | NONE | NONE | USE |
| R809 | NONE | NONE | USE |
| R810 | NONE | NONE | USE |
| R811 | NONE | NONE | USE |
| R812 | NONE | NONE | USE |
| R813 | NONE | NONE | USE |
| R814 | NONE | NONE | USE |
| R815 | NONE | NONE | USE |
| R816 | NONE | NONE | USE |
| R817 | NONE | NONE | USE |
| R818 | NONE | NONE | USE |
| R819 | NONE | NONE | USE |
| R820 | NONE | NONE | USE |
| R821 | NONE | NONE | USE |
| R822 | NONE | NONE | USE |
| R823 | NONE | NONE | USE |
| R824 | NONE | NONE | USE |
| R825 | NONE | NONE | USE |
| R826 | NONE | NONE | USE |
| R827 | NONE | NONE | USE |
| R828 | NONE | NONE | USE |
| R829 | NONE | NONE | USE |
| R830 | NONE | NONE | USE |
| R831 | NONE | NONE | USE |
| R832 | NONE | NONE | USE |
| R833 | NONE | NONE | USE |
| R834 | NONE | NONE | USE |
| R835 | NONE | NONE | USE |
| R836 | NONE | NONE | USE |
| R837 | NONE | NONE | USE |
| R838 | NONE | NONE | USE |
| R839 | NONE | NONE | USE |
| R840 | NONE | NONE | USE |
| R841 | NONE | NONE | USE |
| R842 | NONE | NONE | USE |
| R843 | NONE | NONE | USE |
| R844 | NONE | NONE | USE |
| R845 | NONE | NONE | USE |
| R846 | NONE | NONE | USE |
| R847 | NONE | NONE | USE |
| R848 | NONE | NONE | USE |
| R849 | NONE | NONE | USE |
| R850 | NONE | NONE | USE |
| R851 | NONE | NONE | USE |
| R852 | NONE | NONE | USE |
| R853 | NONE | NONE | USE |
| R854 | NONE | NONE | USE |
| R855 | NONE | NONE | USE |
| R856 | NONE | NONE | USE |
| R857 | NONE | NONE | USE |
| R858 | NONE | NONE | USE |
| R859 | NONE | NONE | USE |
| R860 | NONE | NONE | USE |
| R861 | NONE | NONE | USE |
| R862 | NONE | NONE | USE |
| R863 | NONE | NONE | USE |
| R864 | NONE | NONE | USE |
| R865 | NONE | NONE | USE |
| R866 | NONE | NONE | USE |
| R867 | NONE | NONE | USE |
| R868 | NONE | NONE | USE |
| R869 | NONE | NONE | USE |
| R870 | NONE | NONE | USE |
| R871 | NONE | NONE | USE |
| R872 | NONE | NONE | USE |
| R873 | NONE | NONE | USE |
| R874 | NONE | NONE | USE |
| R875 | NONE | NONE | USE |
| R876 | NONE | NONE | USE |
| R877 | NONE | NONE | USE |
| R878 | NONE | NONE | USE |
| R879 | NONE | NONE | USE |
| R880 | NONE | NONE | USE |
| R881 | NONE | NONE | USE |
| R882 | NONE | NONE | USE |
| R883 | NONE | NONE | USE |
| R884 | NONE | NONE | USE |
| R885 | NONE | NONE | USE |
| R886 | NONE | NONE | USE |
| R887 | NONE | NONE | USE |
| R888 | NONE | NONE | USE |
| R889 | NONE | NONE | USE |
| R890 | NONE | NONE | USE |
| R891 | NONE | NONE | USE |
| R892 | NONE | NONE | USE |
| R893 | NONE | NONE | USE |
| R894 | NONE | NONE | USE |
| R895 | NONE | NONE | USE |
| R896 | NONE | NONE | USE |
| R897 | NONE | NONE | USE |
| R898 | NONE | NONE | USE |
| R899 | NONE | NONE | USE |
| R900 | NONE | NONE | USE |

MARK LIST AV COMPLINK

| J/C | B/E/V/E/V | L/U/S/O/P/T/A | B/E/V/E/V |
|------|-----------|---------------|-----------|
| R780 | USE | NONE | NONE |
| R781 | USE | NONE | NONE |
| R782 | USE | NONE | NONE |
| R783 | USE | NONE | NONE |
| R784 | USE | NONE | NONE |
| R785 | USE | NONE | NONE |
| R786 | USE | NONE | NONE |
| R787 | USE | NONE | NONE |
| R788 | USE | NONE | NONE |
| R789 | USE | NONE | NONE |
| R790 | USE | NONE | NONE |
| R791 | USE | NONE | NONE |
| R792 | USE | NONE | NONE |
| R793 | USE | NONE | NONE |
| R794 | USE | NONE | NONE |
| R795 | USE | NONE | NONE |
| R796 | USE | NONE | NONE |
| R797 | USE | NONE | NONE |
| R798 | USE | NONE | NONE |
| R799 | USE | NONE | NONE |
| R800 | USE | NONE | NONE |
| R801 | USE | NONE | NONE |
| R802 | USE | NONE | NONE |
| R803 | USE | NONE | NONE |
| R804 | USE | NONE | NONE |
| R805 | USE | NONE | NONE |
| R806 | USE | NONE | NONE |
| R807 | USE | NONE | NONE |
| R808 | USE | NONE | NONE |
| R809 | USE | NONE | NONE |
| R810 | USE | NONE | NONE |
| R811 | USE | NONE | NONE |
| R812 | USE | NONE | NONE |
| R813 | USE | NONE | NONE |
| R814 | USE | NONE | NONE |
| R815 | USE | NONE | NONE |
| R816 | USE | NONE | NONE |
| R817 | USE | NONE | NONE |
| R818 | USE | NONE | NONE |
| R819 | USE | | |

Printed circuit boards

■ Main board

5
4
3
2
1

(Wire protection board)

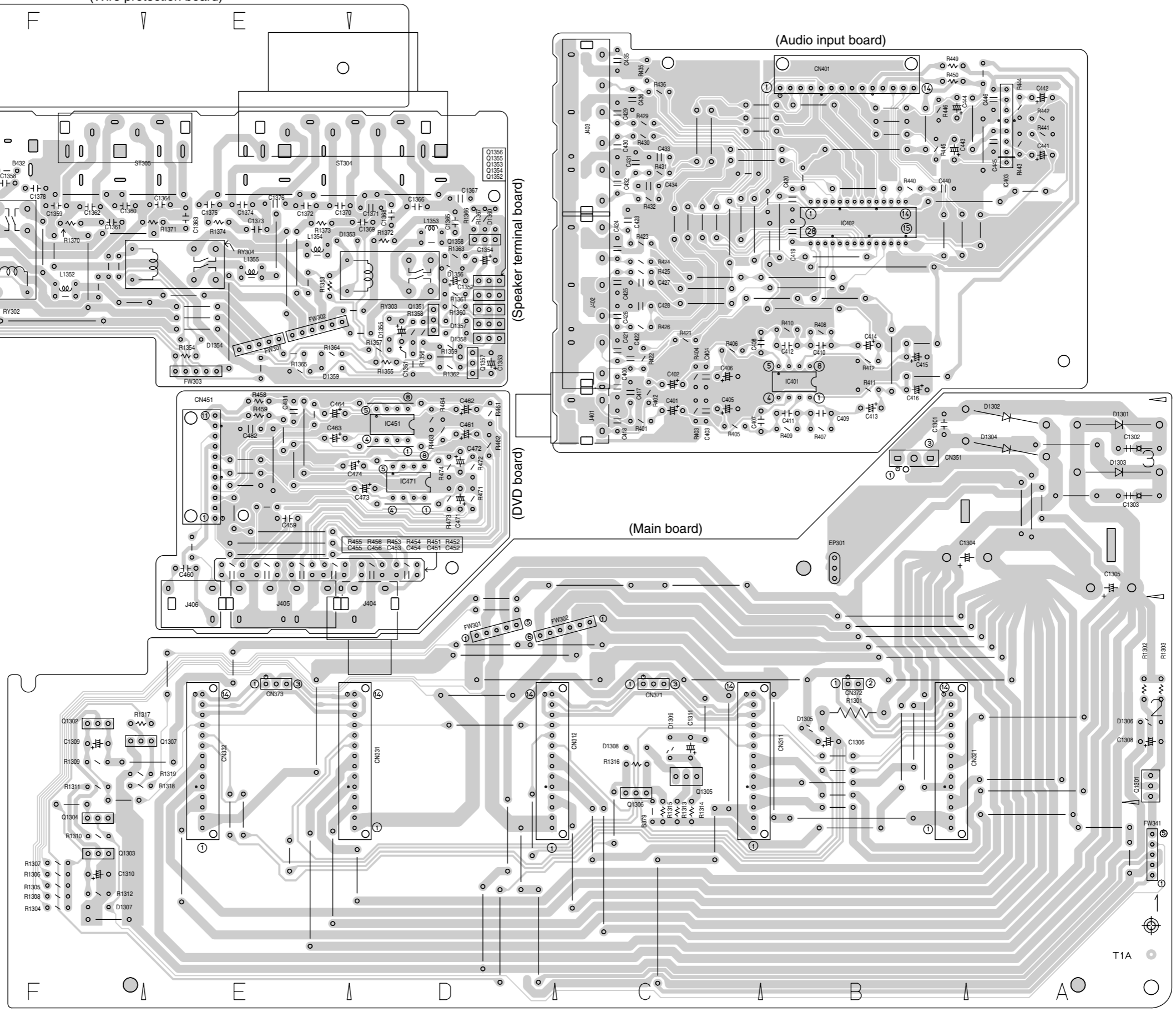
Reverse side

(Audio input board)

(Speaker terminal board)

(DVD board)

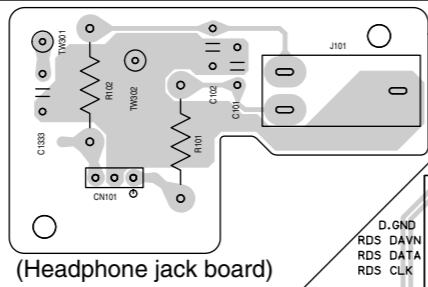
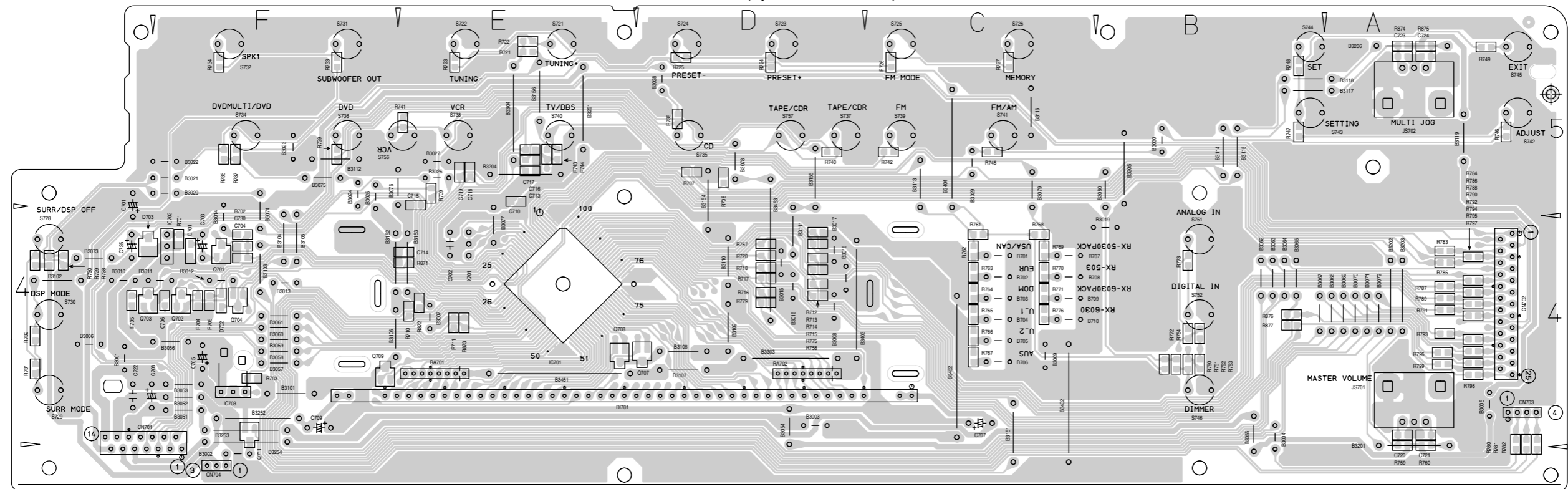
(Main board)



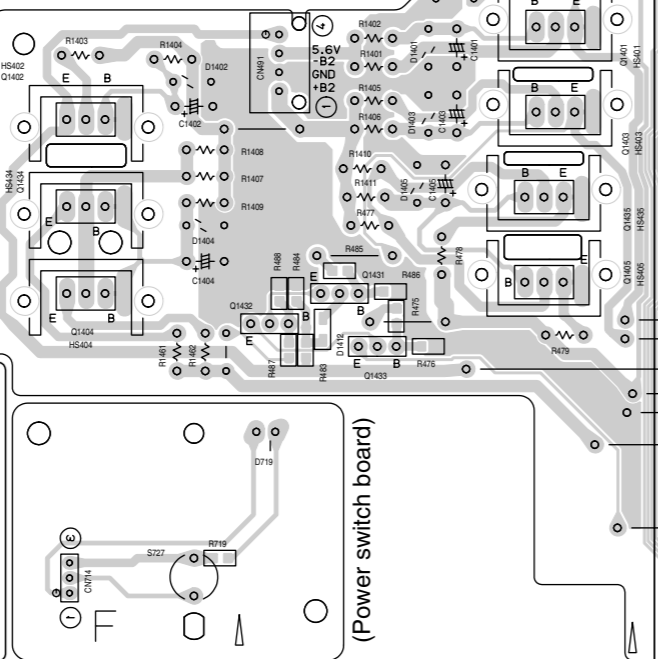
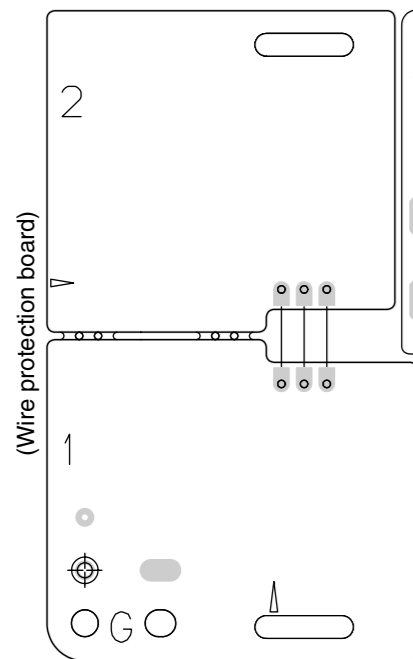
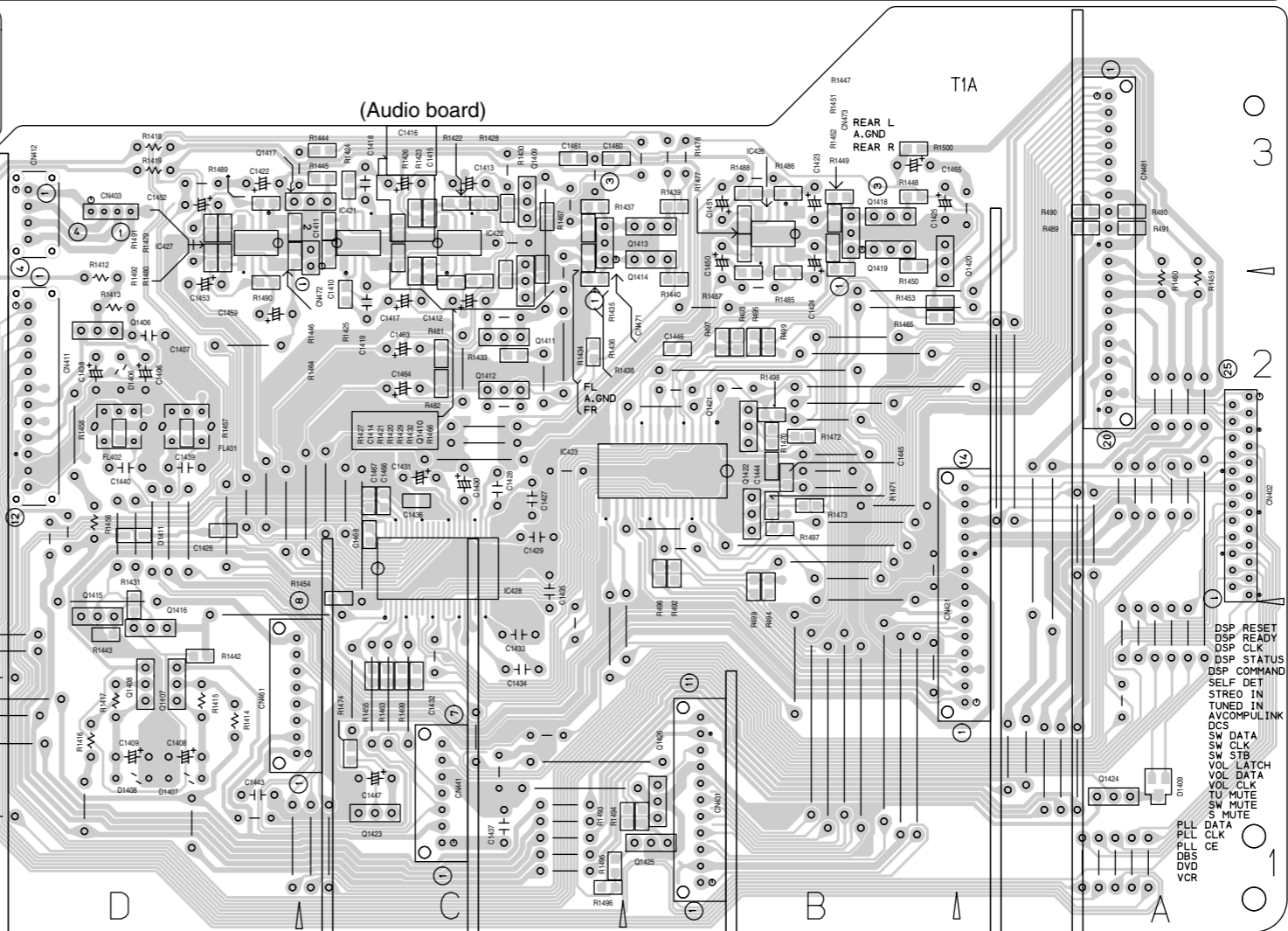
A B C D E F G

System control & Audio board

Reverse side
(System control board)



(Audio board)



5

4

3

2

1

A

B

C

2-10

D

E

F

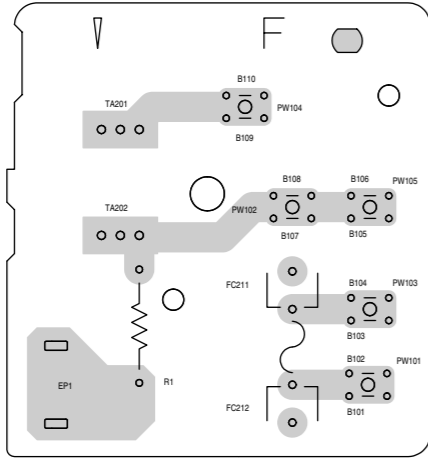
G

H

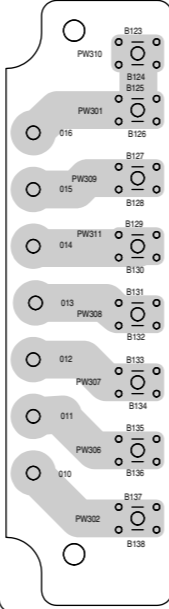
■ Power amp. board

5
4
3
2
1

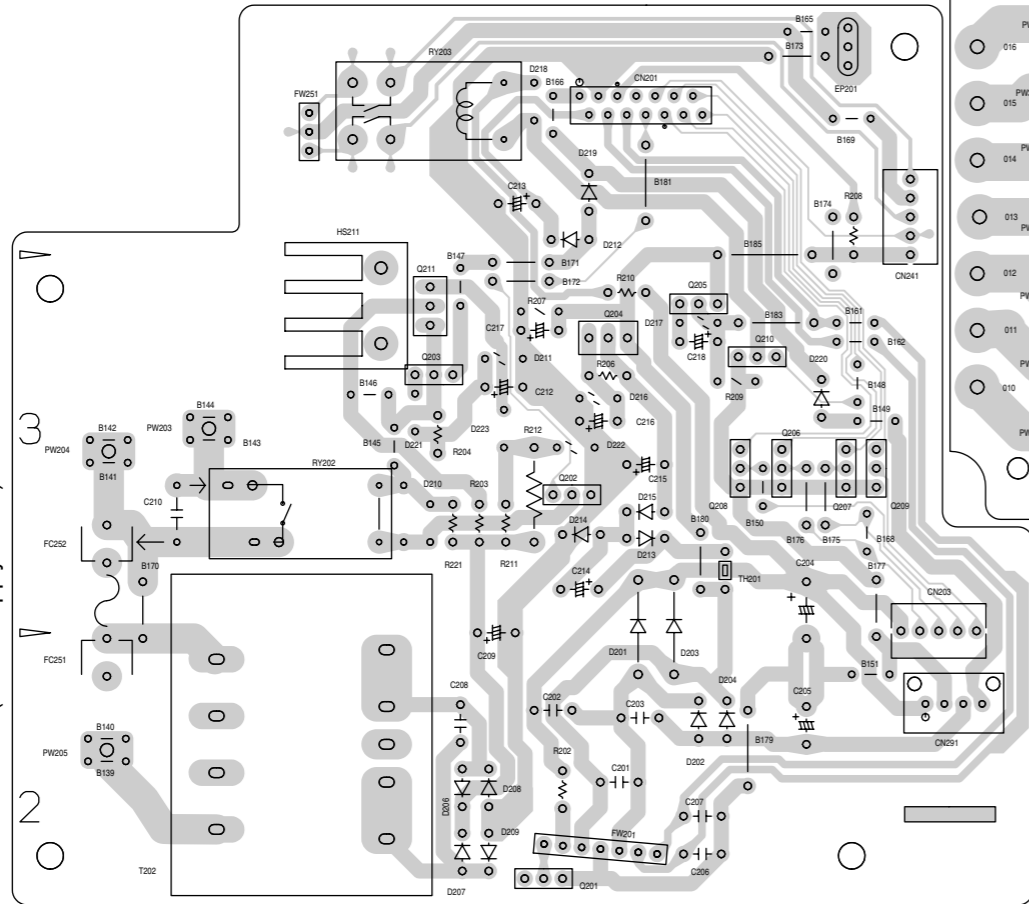
(Power / Fuse board)



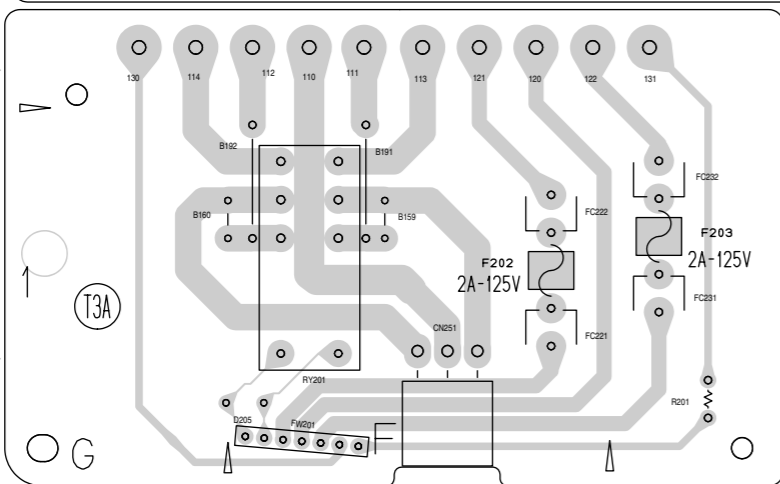
(Power transformer board 2)



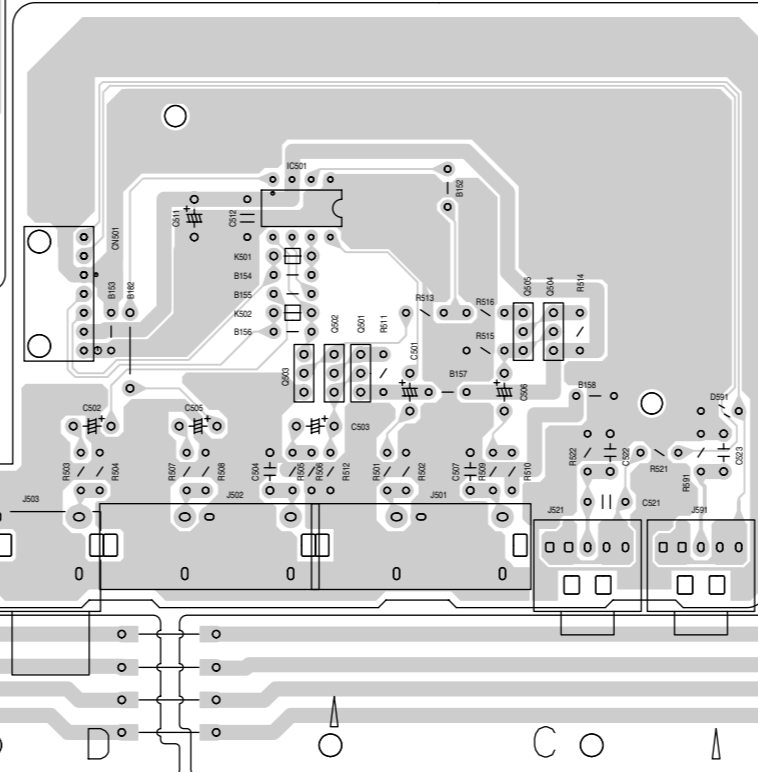
(Power supply board)



(Power transformer board 1)

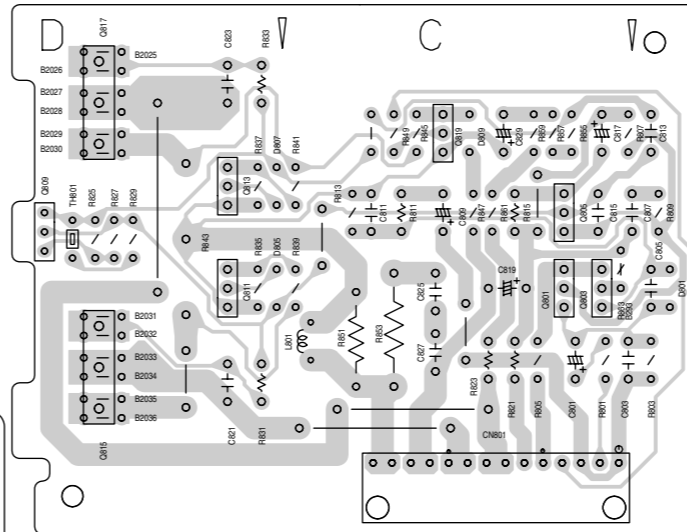


(Video board)

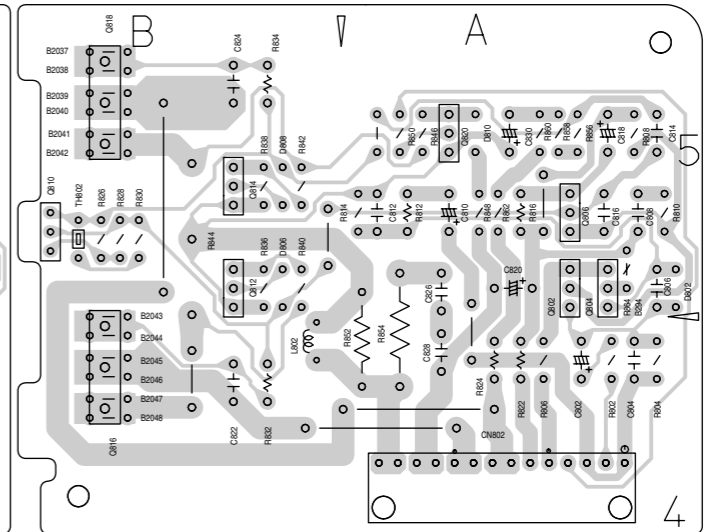


Reverse side

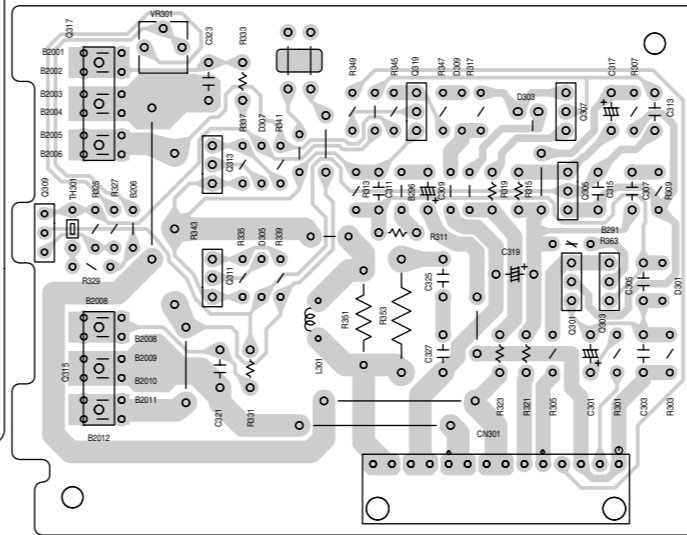
(Rear amp. board (L))



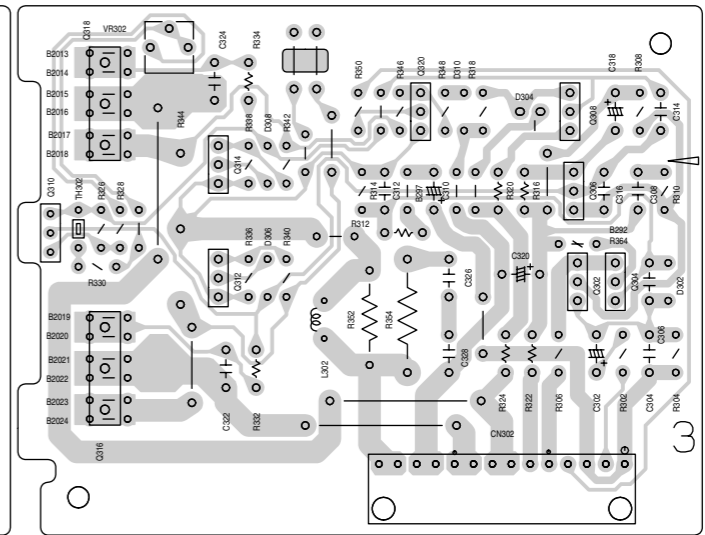
(Rear amp. board (R))



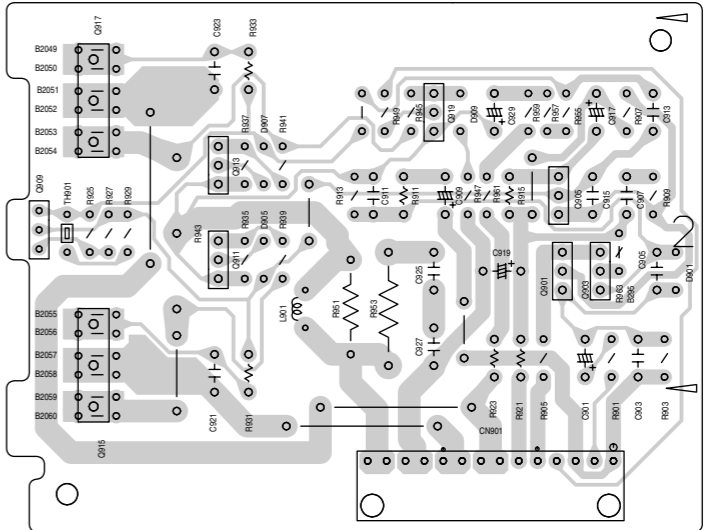
(Front amp. board (L))



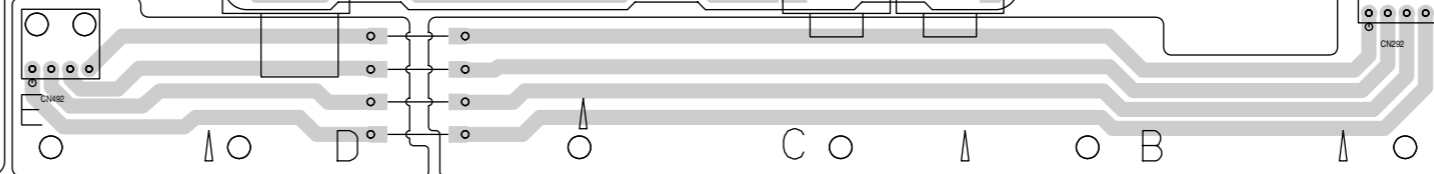
(Front amp. board (R))



(Center amp. board)



(Relay board)

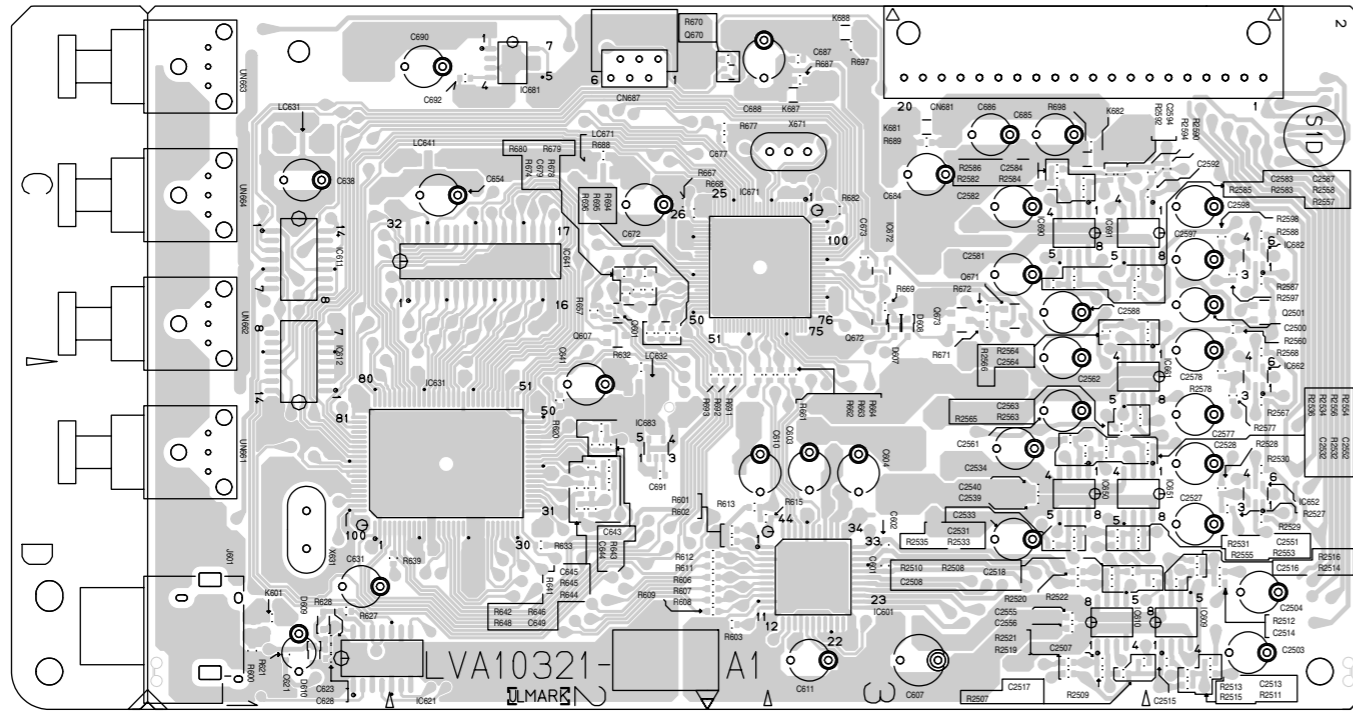


A B C D E F G

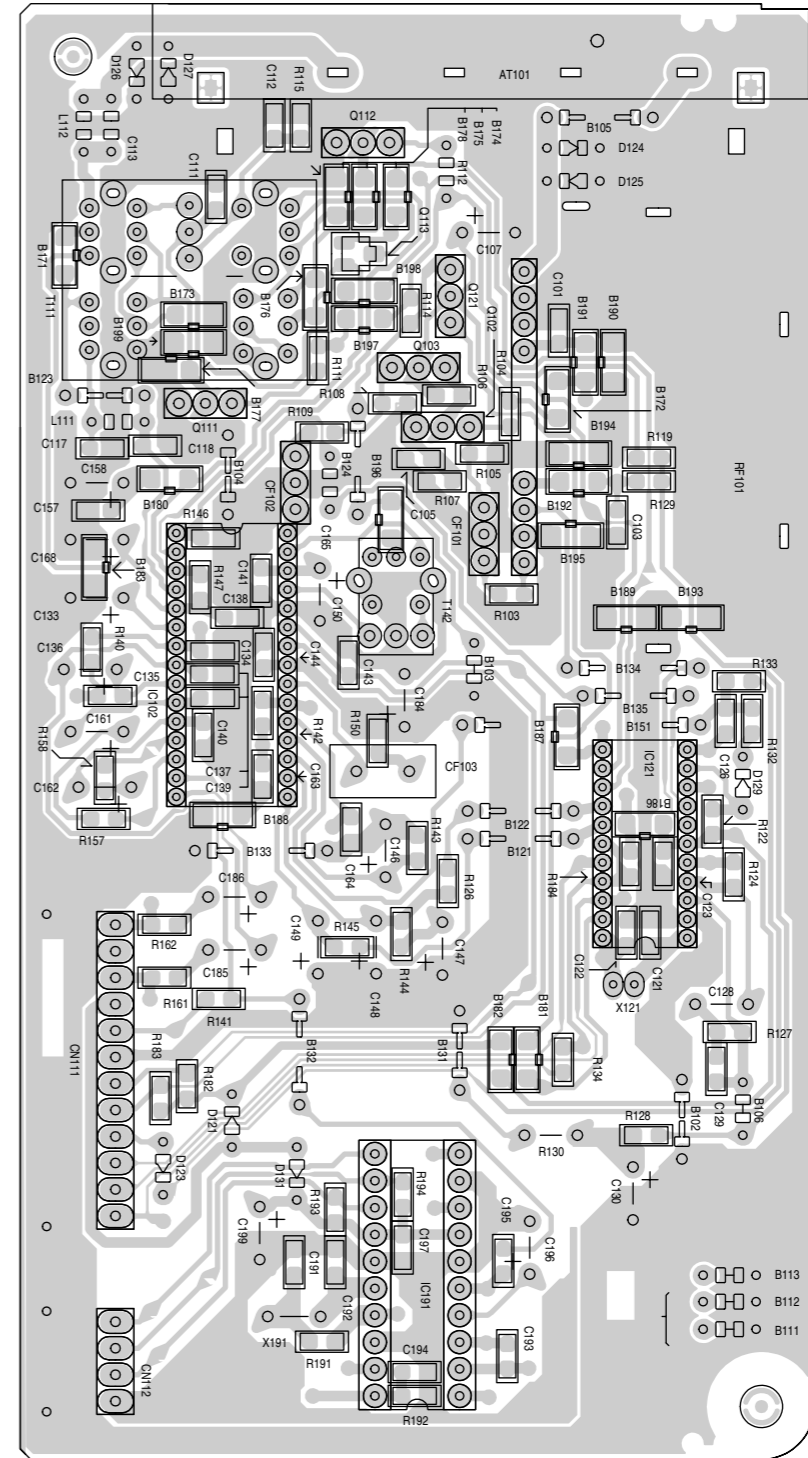
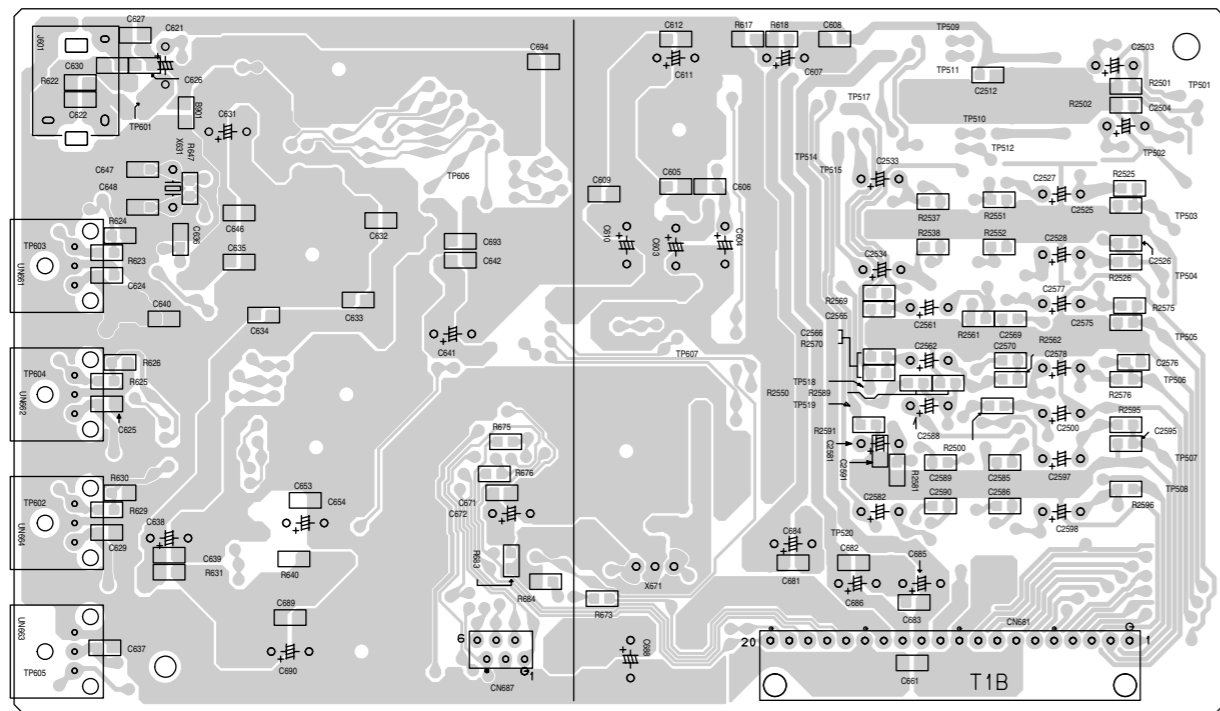
DSP board

Tuner board

Forward side



Reverse side



5

4

3

2

1

A

B

C

2-12

D

E

F

G

H

< MEMO >

RX-5030VBK

JVC

VICTOR COMPANY OF JAPAN, LIMITED

AV & MULTIMEDIA COMPANY 10-1, 1Chome, Ohwatari-machi, Maebashi-city, 371-8543, Japan

(No.22037SCH)



Printed in Japan
2003/04